



UTT120N04

Preliminary

Power MOSFET

**120A, 40V N-CHANNEL
POWER MOSFET**

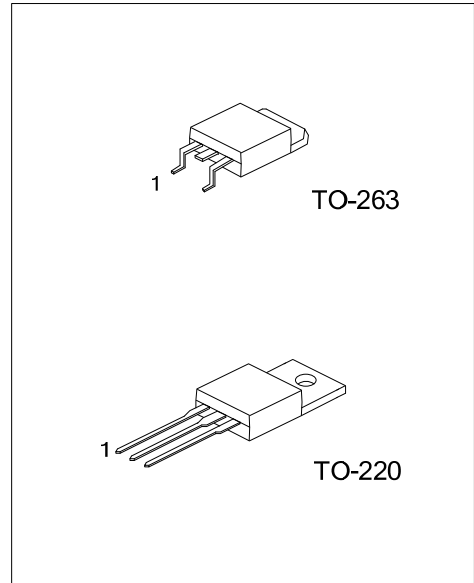
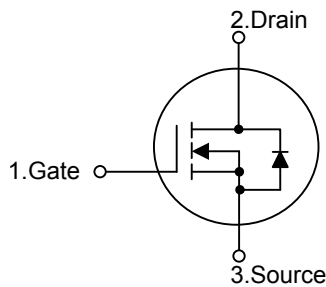
■ DESCRIPTION

The UTC **UTT120N04** is an N-channel enhancement mode Power FET, it uses UTC's advanced technology to provide customers a minimum on-state resistance and high switching speed.

■ FEATURES

- * $R_{DS(ON)} < 3.8m\Omega @ V_{GS}=10V, I_D=60A$
- * High switching speed
- * Improved dv/dt capability

■ SYMBOL



■ ORDERING INFORMATION

Ordering Number		Package	Pin Assignment			Packing
Lead Free	Halogen Free		1	2	3	
UTT120N04L-TA3-T	UTT120N04G-TA3-T	TO-220	G	D	S	Tube
UTT120N04L-TQ2-T	UTT120N04G-TQ2-T	TO-263	G	D	S	Tube
UTT120N04L-TQ2-R	UTT120N04G-TQ2-R	TO-263	G	D	S	Tape Reel

Note: Pin Assignment: G: Gate D: Drain S: Source

<p>UTT120N04L-TA3-T</p> <p>(1) Packing Type</p> <p>(2) Package Type</p> <p>(3) Lead Free</p>	<p>(1) T: Tube, R: Tape Reel</p> <p>(2) TA3: TO-220, TQ2: TO-263</p> <p>(3) L: Lead Free, G: Halogen Free</p>
--	---

■ ABSOLUTE MAXIMUM RATINGS

PARAMETER		SYMBOL	RATINGS	UNIT
Drain-Source Voltage		V_{DSS}	40	V
Gate-Source Voltage		V_{GSS}	± 20	V
Drain Current	Continuous	I_D	120	A
	Pulsed	I_{DM}	480	A
Avalanche Energy	Single Pulsed	E_{AS}	541.5	mJ
Power Dissipation		P_D	100	W
Junction Temperature		T_J	+150	$^{\circ}\text{C}$
Storage Temperature Range		T_{STG}	-55~+150	$^{\circ}\text{C}$

Note: Absolute maximum ratings are those values beyond which the device could be permanently damaged. Absolute maximum ratings are stress ratings only and functional device operation is not implied.

■ THERMAL CHARACTERISTICS

PARAMETER		SYMBOL	RATINGS	UNIT
Junction to Ambient		θ_{JA}	62.5	$^{\circ}\text{C}/\text{W}$
Junction to Case		θ_{JC}	1.5	$^{\circ}\text{C}/\text{W}$

■ ELECTRICAL CHARACTERISTICS

PARAMETER		SYMBOL	TEST CONDITIONS	MIN	TYP	MAX	UNIT
OFF CHARACTERISTICS							
Drain-Source Breakdown Voltage		BV_{DSS}	$I_D=250\mu\text{A}, V_{GS}=0\text{V}$	40			V
Drain-Source Leakage Current		I_{DSS}	$V_{DS}=32\text{V}$			10	μA
Gate-Source Leakage Current	Forward	I_{GSS}	$V_{GS}=+20\text{V}, V_{DS}=0\text{V}$			+100	nA
	Reverse		$V_{GS}=-20\text{V}, V_{DS}=0\text{V}$			-100	nA
ON CHARACTERISTICS							
Gate Threshold Voltage		$V_{GS(TH)}$	$I_D=250\mu\text{A}$	1		3	V
Static Drain-Source On-State Resistance		$R_{DS(ON)}$	$V_{GS}=10\text{V}, I_D=60\text{A}$			3.8	m Ω
DYNAMIC PARAMETERS							
Input Capacitance		C_{ISS}	$V_{DS}=25\text{V}, V_{GS}=0\text{V}, f=1\text{MHz}$		2890		pF
Output Capacitance		C_{OSS}			575		pF
Reverse Transfer Capacitance		C_{RSS}			310		pF
SWITCHING PARAMETERS							
Total Gate Charge		Q_G	$V_{DD}=30\text{V}, V_{GS}=10\text{V}, I_D=1\text{A}, I_G=100\mu\text{A}$		160	200	nC
Gate to Source Charge		Q_{GS}			35		nC
Gate to Drain Charge		Q_{GD}			42	60	nC
Turn-ON Delay Time		$t_{D(ON)}$	$V_{DD}=30\text{V}, I_D=0.5\text{A}, R_G=25\Omega, V_{GS}=0\sim 10\text{V}$		17		ns
Rise Time		t_R			140		ns
Turn-OFF Delay Time		$t_{D(OFF)}$			72		ns
Fall-Time		t_F			26		ns
SOURCE- DRAIN DIODE RATINGS AND CHARACTERISTICS							
Maximum Body-Diode Continuous Current		I_S				120	A
Maximum Body-Diode Pulsed Current		I_{SM}				480	A
Drain-Source Diode Forward Voltage		V_{SD}	$I_S=120\text{A}$			1.28	V

UTC assumes no responsibility for equipment failures that result from using products at values that exceed, even momentarily, rated values (such as maximum ratings, operating condition ranges, or other parameters) listed in products specifications of any and all UTC products described or contained herein. UTC products are not designed for use in life support appliances, devices or systems where malfunction of these products can be reasonably expected to result in personal injury. Reproduction in whole or in part is prohibited without the prior written consent of the copyright owner. The information presented in this document does not form part of any quotation or contract, is believed to be accurate and reliable and may be changed without notice.